



# McGuire Manufacturing Co., Inc.

60 Grandview Court  
 Cheshire, Connecticut 06410  
 (203) 699-1801 Fax (203) 699-1813  
 customerservice@mcguiremfg.com mcguiremfg.com

## PRODUCT SPECIFICATION

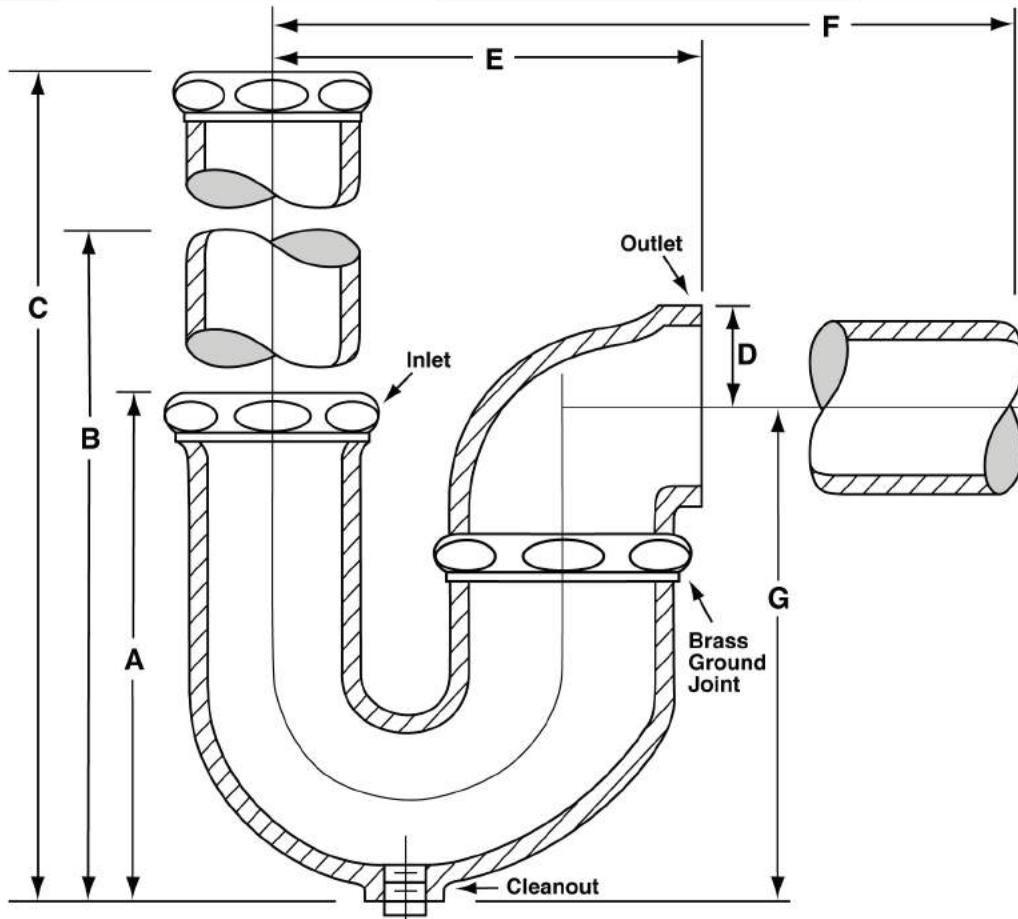
Part No.

**511125**

**Cast Marine P-Trap  
 with 4" Water Seal**

**Job Name:**

**Submittal Number:**



NO.	SIZE	ROUGHING MEASUREMENTS						
		A	B	C	D	E	F	G
511125	1-1/4" x 1-1/4"	7-5/8"	8-1/2"	8-3/4"	1-3/8"	4-1/4"	6-1/2"	6-1/2"

**ADD ON OPTIONS:**  
 (Add suffix to part number, inlet first)

**INLET CONNECTIONS**

- T – Female Inlet
- J – Slip Joint Inlet
- U – Union Inlet
- S – Silbraze Inlet
- Z – Silbraze Union Inlet
- G – Grooved

**OUTLET CONNECTION**

- T – Female Outlet
- U – Union Outlet
- S – Silbraze Outlet
- Z – Silbraze Union Outlet
- G – Grooved

See options and accessories section for details on product variations.

### Specifications:

Marine P-Trap shall be heavy cast brass body with cleanout, heavy cast brass ground joint elbow and cast brass slip nuts. To be provided with (Slip Joint, Union, Silbraze, Silbraze Union or Grooved) inlet and (Female, Union, Silbraze, Silbraze Union or Grooved) outlet. Standard 2" water seal. Specify 4" seal if required.

**WARNING:**

This product can expose you to chemicals including lead, which is known to the State of California to cause cancer, and birth defects or other reproductive harm. For more information go to [www.P65Warnings.ca.gov](http://www.P65Warnings.ca.gov).



# McGuire Manufacturing Co., Inc.

60 Grandview Court  
 Cheshire, Connecticut 06410  
 (203) 699-1801 Fax (203) 699-1813  
 customerservice@mcguiremfg.com mcguiremfg.com

## PRODUCT SPECIFICATION

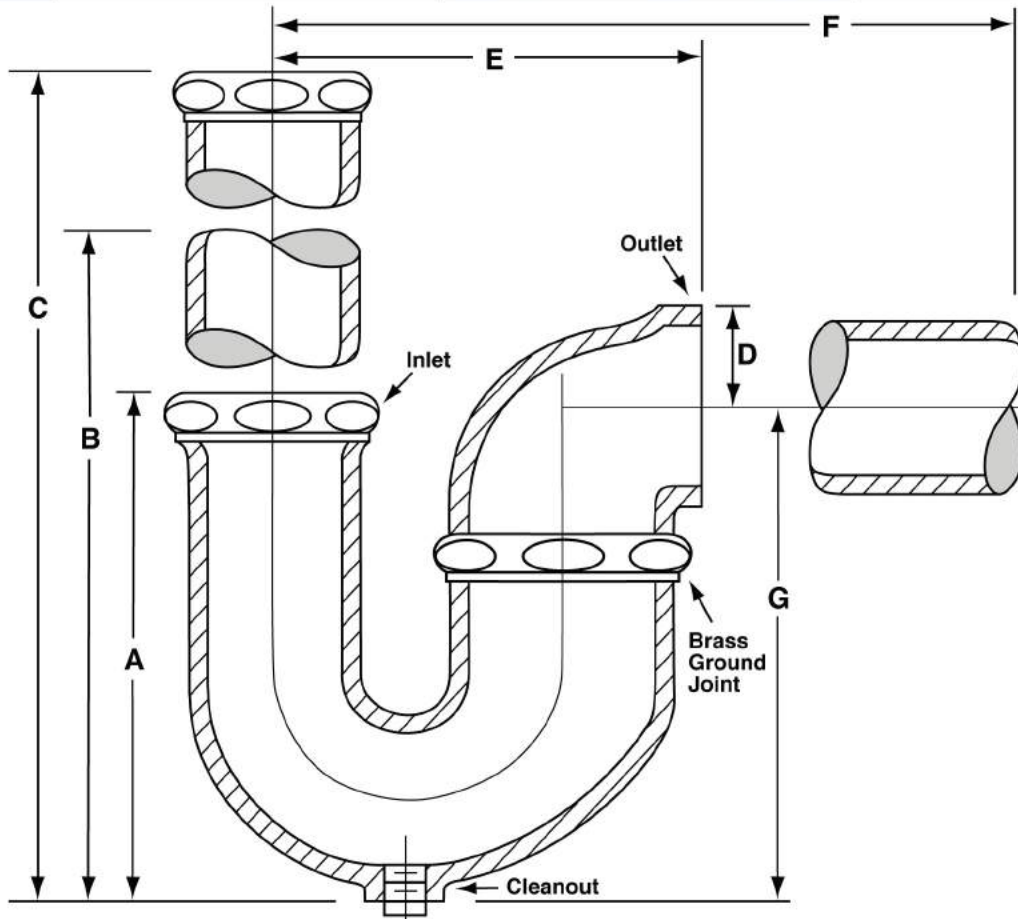
Part No.

**511150**

**Cast Marine P-Trap  
 with 4" Water Seal**

**Job Name:**

**Submittal Number:**



NO.	SIZE	ROUGHING MEASUREMENTS						
		A	B	C	D	E	F	G
511150	1-1/2" x 1-1/2"	6-3/4"	8-1/4"	8-5/8"	1-1/2"	4"	6-3/4"	6-3/4"

**ADD ON OPTIONS:**  
 (Add suffix to part number, inlet first)

**INLET CONNECTIONS**

- T – Female Inlet
- J – Slip Joint Inlet
- U – Union Inlet
- S – Silbraze Inlet
- Z – Silbraze Union Inlet
- G – Grooved

**OUTLET CONNECTION**

- T – Female Outlet
- U – Union Outlet
- S – Silbraze Outlet
- Z – Silbraze Union Outlet
- G – Grooved

See options and accessories section for details on product variations.

### Specifications:

Marine P-Trap shall be heavy cast brass body with cleanout, heavy cast brass ground joint elbow and cast brass slip nuts. To be provided with (Slip Joint, Union, Silbraze, Silbraze Union or Grooved) inlet and (Female, Union, Silbraze, Silbraze Union or Grooved) outlet. Standard 2" water seal. Specify 4" seal if required.

**WARNING:**

This product can expose you to chemicals including lead, which is known to the State of California to cause cancer, and birth defects or other reproductive harm. For more information go to [www.P65Warnings.ca.gov](http://www.P65Warnings.ca.gov).



# McGuire Manufacturing Co., Inc.

60 Grandview Court  
 Cheshire, Connecticut 06410  
 (203) 699-1801 Fax (203) 699-1813  
 customerservice@mcguiremfg.com mcguiremfg.com

## PRODUCT SPECIFICATION

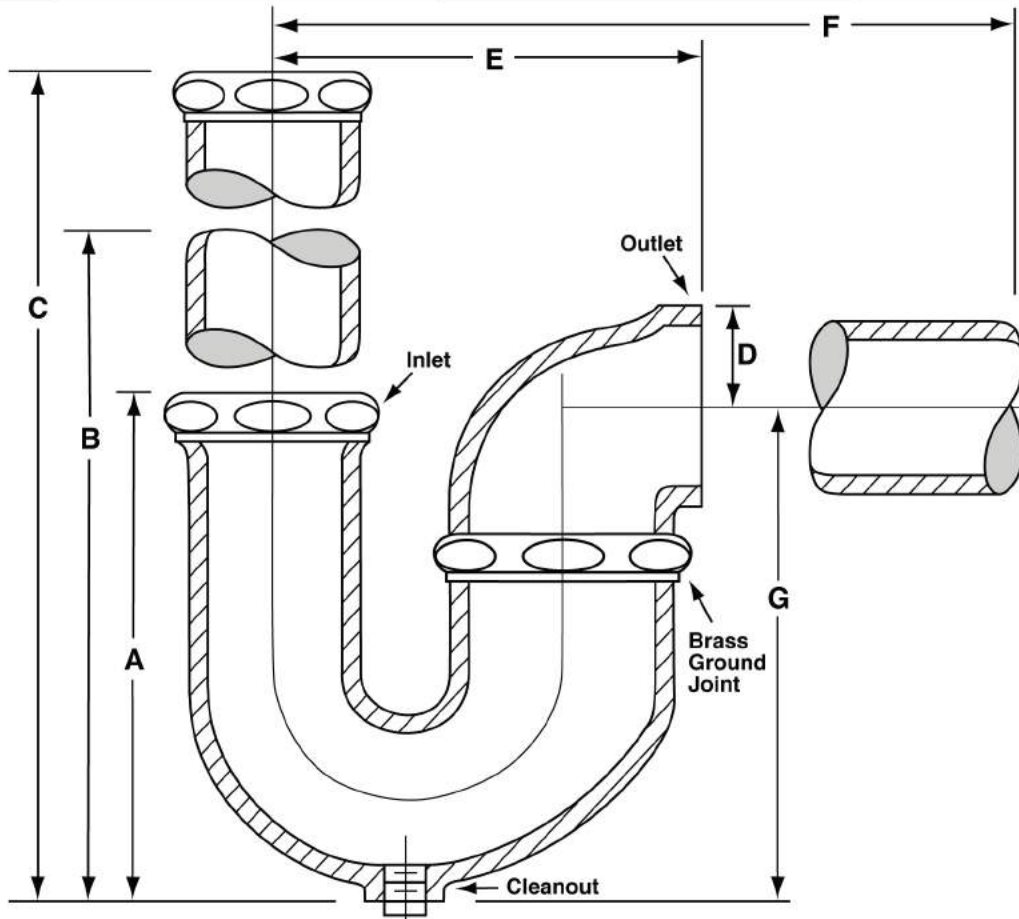
Part No.

**511200**

**Cast Marine P-Trap  
 with 4" Water Seal**

**Job Name:**

**Submittal Number:**



NO.	SIZE	ROUGHING MEASUREMENTS						
		A	B	C	D	E	F	G
511200	2" x 2"	7-3/16"	9"	9-1/2"	1-3/4"	5-1/4"	8"	7-1/2"

**ADD ON OPTIONS:**  
 (Add suffix to part number, inlet first)

**INLET CONNECTIONS**

- T – Female Inlet
- J – Slip Joint Inlet
- U – Union Inlet
- S – Silbraze Inlet
- Z – Silbraze Union Inlet
- G – Grooved

**OUTLET CONNECTION**

- T – Female Outlet
- U – Union Outlet
- S – Silbraze Outlet
- Z – Silbraze Union Outlet
- G – Grooved

See options and accessories section for details on product variations.

### Specifications:

Marine P-Trap shall be heavy cast brass body with cleanout, heavy cast brass ground joint elbow and cast brass slip nuts. To be provided with (Slip Joint, Union, Silbraze, Silbraze Union or Grooved) inlet and (Female, Union, Silbraze, Silbraze Union or Grooved) outlet. Standard 2" water seal. Specify 4" seal if required.



**WARNING:**

This product can expose you to chemicals including lead, which is known to the State of California to cause cancer, and birth defects or other reproductive harm. For more information go to [www.P65Warnings.ca.gov](http://www.P65Warnings.ca.gov).





# McGuire Manufacturing Co., Inc.

60 Grandview Court  
 Cheshire, Connecticut 06410  
 (203) 699-1801 Fax (203) 699-1813  
 customerservice@mcguiremfg.com mcguiremfg.com

Part No.

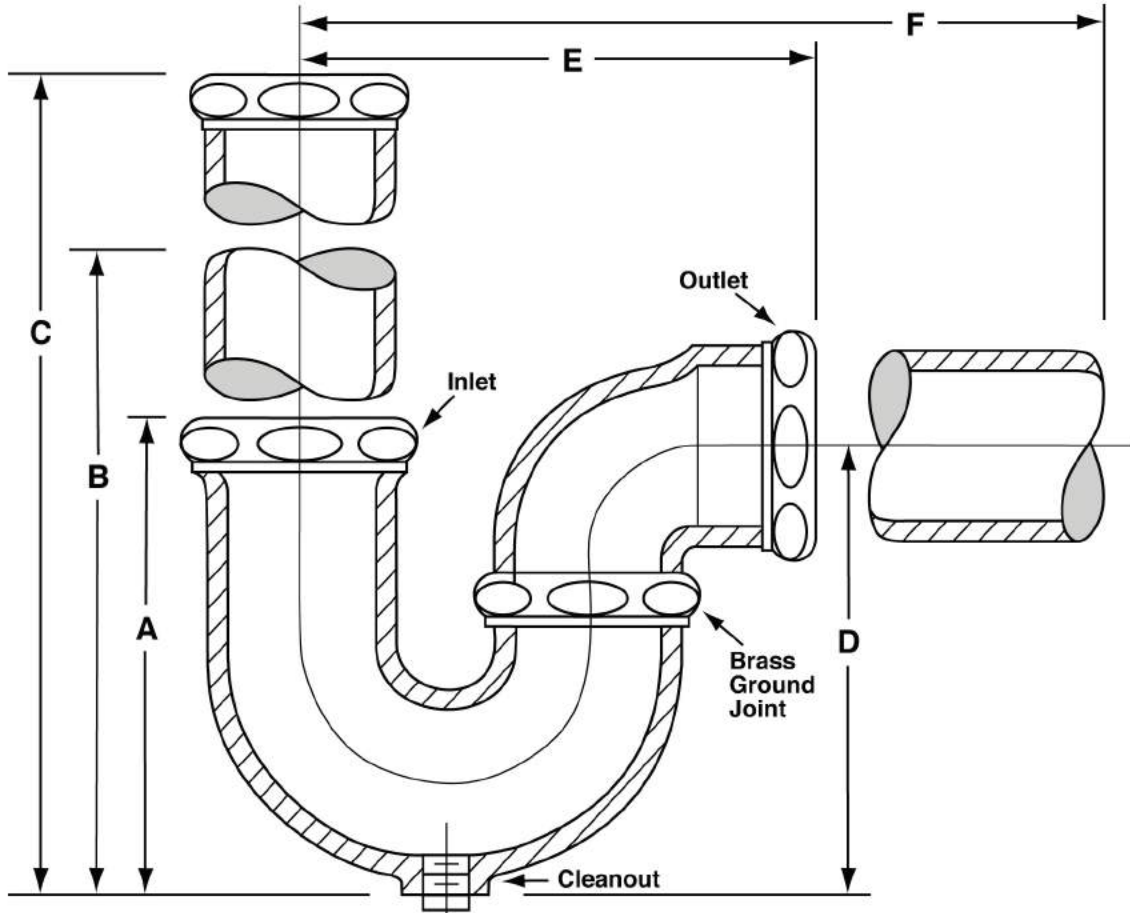
513125

Cast Marine P-Trap

## PRODUCT SPECIFICATION

Job Name:

Submittal Number:



NO.	SIZE	ROUGHING MEASUREMENTS					
		A	B	C	D	E	F
513125	1-1/4" x 1-1/4"	5"	6-1/8"	7"	4-1/2"	4-1/4"	6-1/2"

**ADD ON OPTIONS:**  
 (Add suffix to part number, inlet first)

**INLET CONNECTIONS**

- T – Female Inlet
- J – Slip Joint Inlet
- U – Union Inlet
- S – Silbrazed Inlet
- Z – Silbrazed Union Inlet
- G – Grooved

**OUTLET CONNECTION**

- T – Female Outlet
- U – Union Outlet
- S – Silbrazed Outlet
- Z – Silbrazed Union Outlet
- G – Grooved

See options and accessories section for details on product variations.

### Specifications:

Marine P-Trap shall be heavy cast brass body with cleanout, heavy cast brass ground joint elbow and cast brass slip nuts. To be provided with (Slip Joint, Union, Silbrazed, Silbrazed Union or Grooved) inlet and (Female, Union, Silbrazed, Silbrazed Union or Grooved) outlet. Standard 2" water seal. Specify 4" seal if required.



**WARNING:**

This product can expose you to chemicals including lead, which is known to the State of California to cause cancer, and birth defects or other reproductive harm. For more information go to [www.P65Warnings.ca.gov](http://www.P65Warnings.ca.gov).



**McGuire Manufacturing Co., Inc.**

60 Grandview Court  
 Cheshire, Connecticut 06410  
 (203) 699-1801 Fax (203) 699-1813  
 customerservice@mcguiremfg.com mcguiremfg.com

**Part No.**

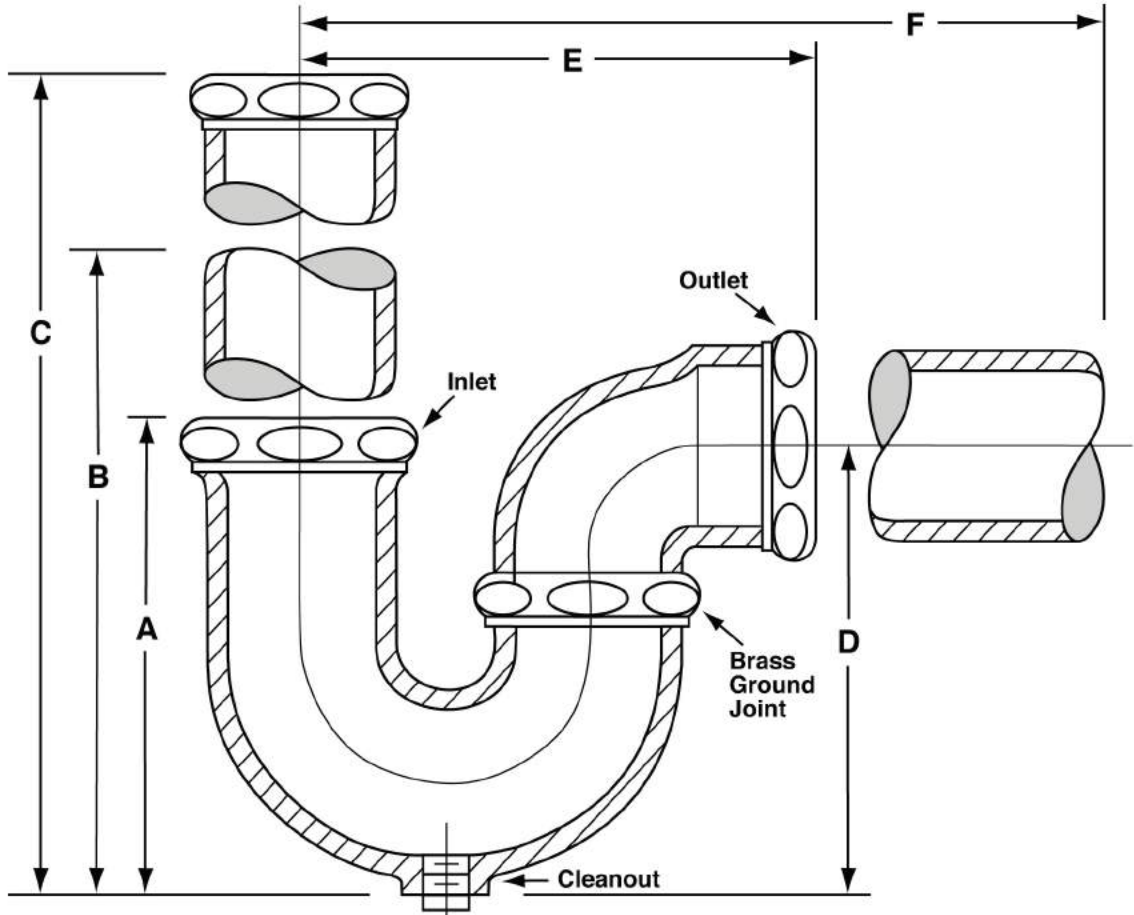
**513150**

**Cast Marine P-Trap**

**PRODUCT SPECIFICATION**

**Job Name:**

**Submittal Number:**



NO.	SIZE	ROUGHING MEASUREMENTS					
		A	B	C	D	E	F
513150	1-1/2" x 1-1/2"	5"	6-1/4"	7-1/8"	5"	4-1/4"	6-3/4"

**ADD ON OPTIONS:**  
 (Add suffix to part number, inlet first)

**INLET CONNECTIONS**

- T – Female Inlet
- J – Slip Joint Inlet
- U – Union Inlet
- S – Silbrazed Inlet
- Z – Silbrazed Union Inlet
- G – Grooved

**OUTLET CONNECTION**

- T – Female Outlet
- U – Union Outlet
- S – Silbrazed Outlet
- Z – Silbrazed Union Outlet
- G – Grooved

See options and accessories section for details on product variations.

**Specifications:**

Marine P-Trap shall be heavy cast brass body with cleanout, heavy cast brass ground joint elbow and cast brass slip nuts. To be provided with (Slip Joint, Union, Silbrazed, Silbrazed Union or Grooved) inlet and (Female, Union, Silbrazed, Silbrazed Union or Grooved) outlet. Standard 2" water seal. Specify 4" seal if required.



**WARNING:**

This product can expose you to chemicals including lead, which is known to the State of California to cause cancer, and birth defects or other reproductive harm. For more information go to [www.P65Warnings.ca.gov](http://www.P65Warnings.ca.gov).



**McGuire Manufacturing Co., Inc.**

60 Grandview Court  
 Cheshire, Connecticut 06410  
 (203) 699-1801 Fax (203) 699-1813  
 customerservice@mcguiremfg.com mcguiremfg.com

**Part No.**

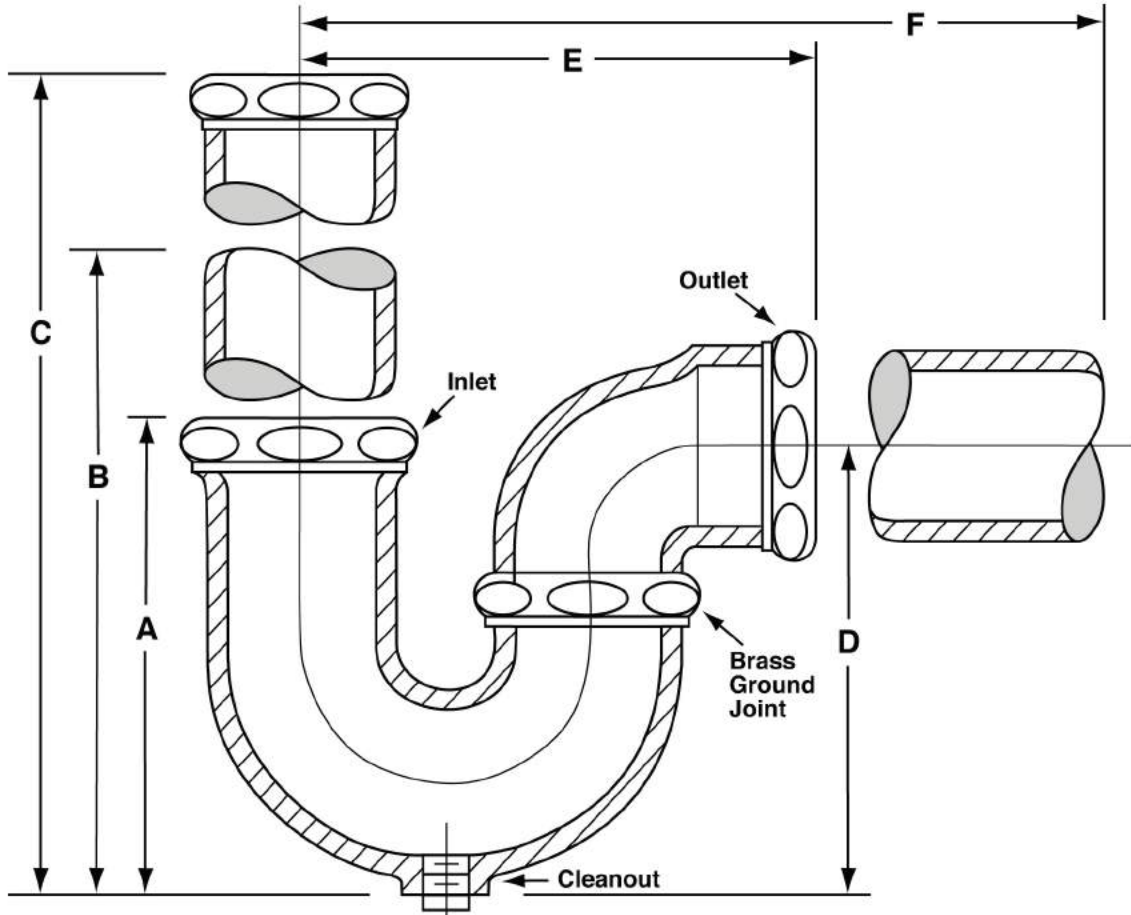
**513200**

**Cast Marine P-Trap**

**PRODUCT SPECIFICATION**

**Job Name:**

**Submittal Number:**



NO.	SIZE	ROUGHING MEASUREMENTS					
		A	B	C	D	E	F
513200	2" x 2"	5"	6-3/4"	8"	5-1/4"	5-3/4"	8"

**ADD ON OPTIONS:**  
 (Add suffix to part number, inlet first)

**INLET CONNECTIONS**

- T – Female Inlet
- J – Slip Joint Inlet
- U – Union Inlet
- S – Silbrazed Inlet
- Z – Silbrazed Union Inlet
- G – Grooved

**OUTLET CONNECTION**

- T – Female Outlet
- U – Union Outlet
- S – Silbrazed Outlet
- Z – Silbrazed Union Outlet
- G – Grooved

See options and accessories section for details on product variations.

**Specifications:**

Marine P-Trap shall be heavy cast brass body with cleanout, heavy cast brass ground joint elbow and cast brass slip nuts. To be provided with (Slip Joint, Union, Silbrazed, Silbrazed Union or Grooved) inlet and (Female, Union, Silbrazed, Silbrazed Union or Grooved) outlet. Standard 2" water seal. Specify 4" seal if required.



**WARNING:**

This product can expose you to chemicals including lead, which is known to the State of California to cause cancer, and birth defects or other reproductive harm. For more information go to [www.P65Warnings.ca.gov](http://www.P65Warnings.ca.gov).





# McGuire Manufacturing Co., Inc.

60 Grandview Court  
 Cheshire, Connecticut 06410  
 (203) 699-1801 Fax (203) 699-1813  
 customerservice@mcguiremfg.com mcguiremfg.com

## PRODUCT SPECIFICATION

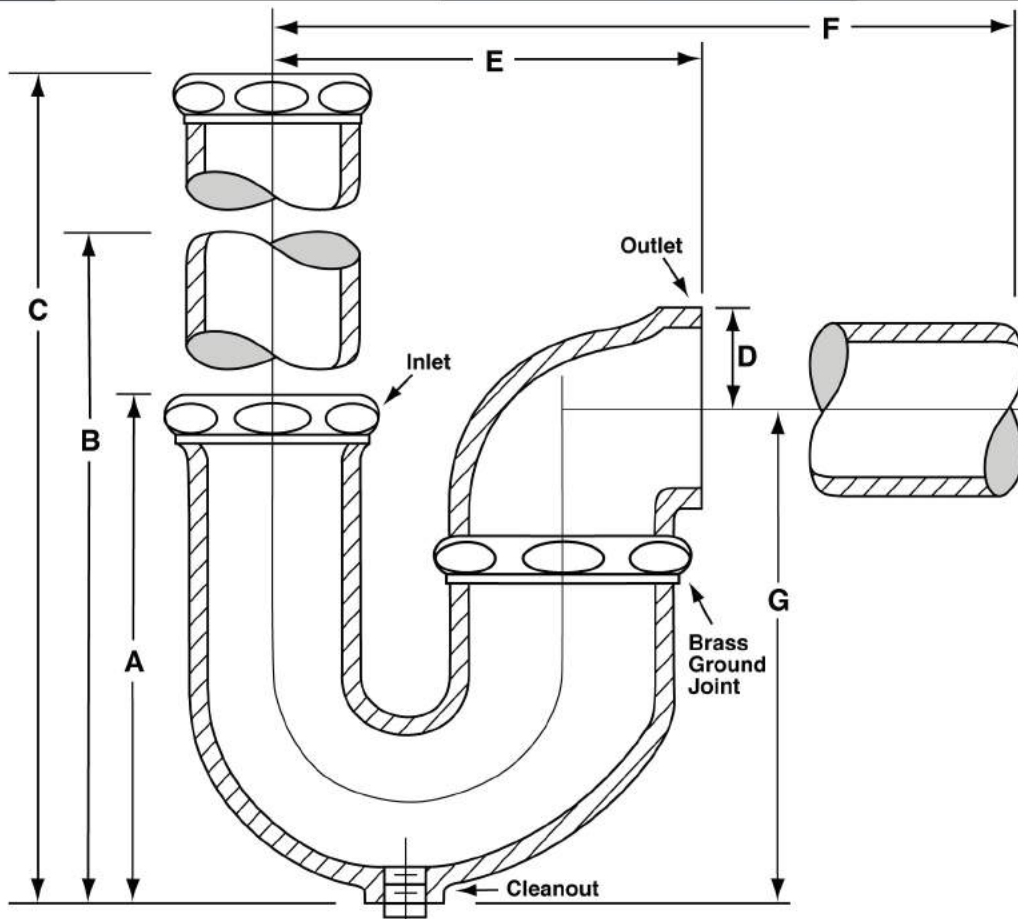
Part No.

511125150

**Cast Marine P-Trap  
 with 4" Water Seal**

**Job Name:**

**Submittal Number:**



NO.	SIZE	ROUGHING MEASUREMENTS						
		A	B	C	D	E	F	G
511125150	1-1/4" x 1-1/2"	6-3/4"	8-1/4"	8-5/8"	1-1/2"	4"	6-3/4"	6-3/4"

**ADD ON OPTIONS:**  
 (Add suffix to part number, inlet first)

**INLET CONNECTIONS**

- T – Female Inlet
- J – Slip Joint Inlet
- U – Union Inlet
- S – Silbraze Inlet
- Z – Silbraze Union Inlet
- G – Grooved

**OUTLET CONNECTION**

- T – Female Outlet
- U – Union Outlet
- S – Silbraze Outlet
- Z – Silbraze Union Outlet
- G – Grooved

See options and accessories section for details on product variations.

### Specifications:

Marine P-Trap shall be heavy cast brass body with cleanout, heavy cast brass ground joint elbow and cast brass slip nuts. To be provided with (Slip Joint, Union, Silbraze, Silbraze Union or Grooved) inlet and (Female, Union, Silbraze, Silbraze Union or Grooved) outlet. Standard 2" water seal. Specify 4" seal if required.



**WARNING:**

This product can expose you to chemicals including lead, which is known to the State of California to cause cancer, and birth defects or other reproductive harm. For more information go to [www.P65Warnings.ca.gov](http://www.P65Warnings.ca.gov).



**McGuire Manufacturing Co., Inc.**

60 Grandview Court  
 Cheshire, Connecticut 06410  
 (203) 699-1801 Fax (203) 699-1813  
 customerservice@mcguiremfg.com mcguiremfg.com

**Part No.**

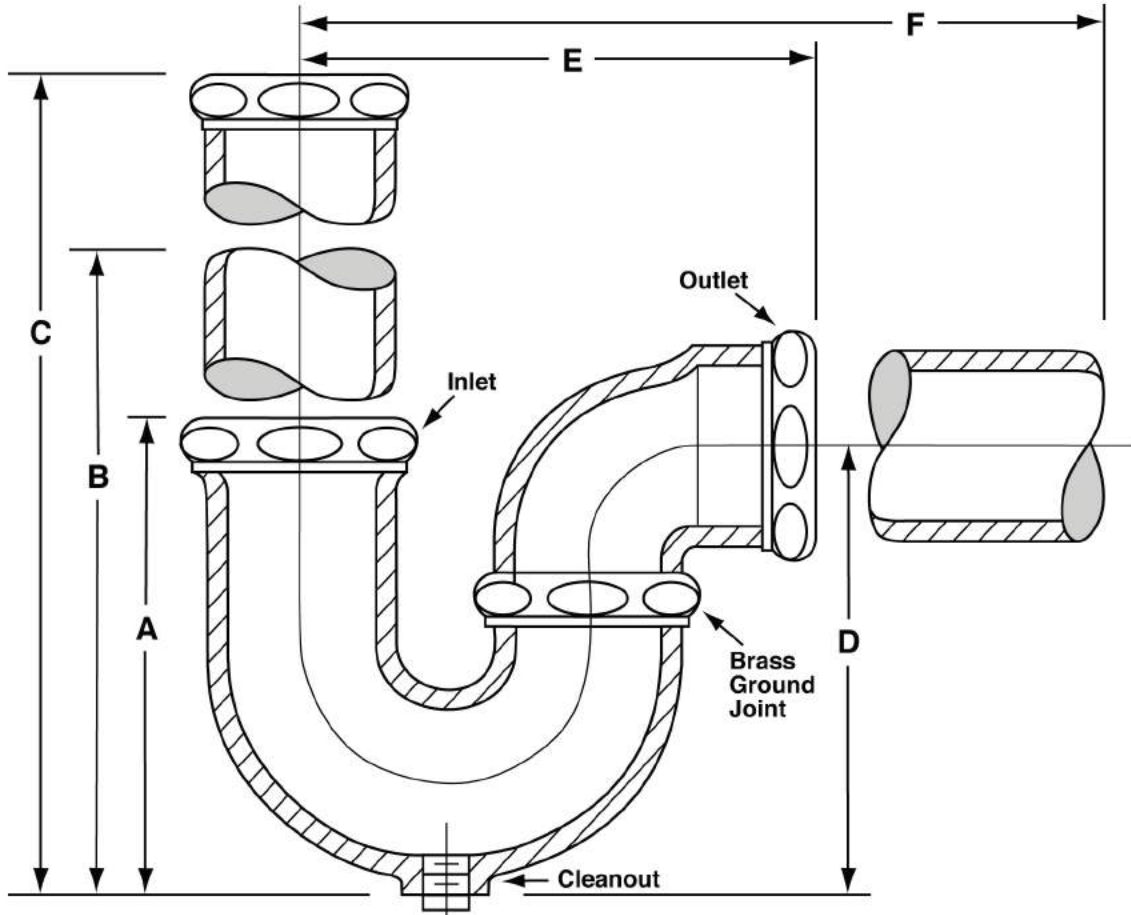
**513125150**

**Cast Marine P-Trap**

**PRODUCT SPECIFICATION**

**Job Name:**

**Submittal Number:**



NO.	SIZE	ROUGHING MEASUREMENTS					
		A	B	C	D	E	F
513125150	1-1/4" x 1-1/2"	5"	6-1/4"	7-1/8"	5"	4-1/4"	6-3/4"

**ADD ON OPTIONS:**  
 (Add suffix to part number, inlet first)

**INLET CONNECTIONS**

- T – Female Inlet
- J – Slip Joint Inlet
- U – Union Inlet
- S – Silbrazed Inlet
- Z – Silbrazed Union Inlet
- G – Grooved

**OUTLET CONNECTION**

- T – Female Outlet
- U – Union Outlet
- S – Silbrazed Outlet
- Z – Silbrazed Union Outlet
- G – Grooved

See options and accessories section for details on product variations.

**Specifications:**

Marine P-Trap shall be heavy cast brass body with cleanout, heavy cast brass ground joint elbow and cast brass slip nuts. To be provided with (Slip Joint, Union, Silbrazed, Silbrazed Union or Grooved) inlet and (Female, Union, Silbrazed, Silbrazed Union or Grooved) outlet. Standard 2" water seal. Specify 4" seal if required.

**WARNING:**

This product can expose you to chemicals including lead, which is known to the State of California to cause cancer, and birth defects or other reproductive harm. For more information go to [www.P65Warnings.ca.gov](http://www.P65Warnings.ca.gov).